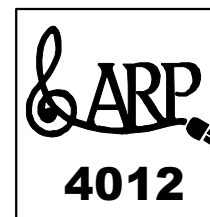
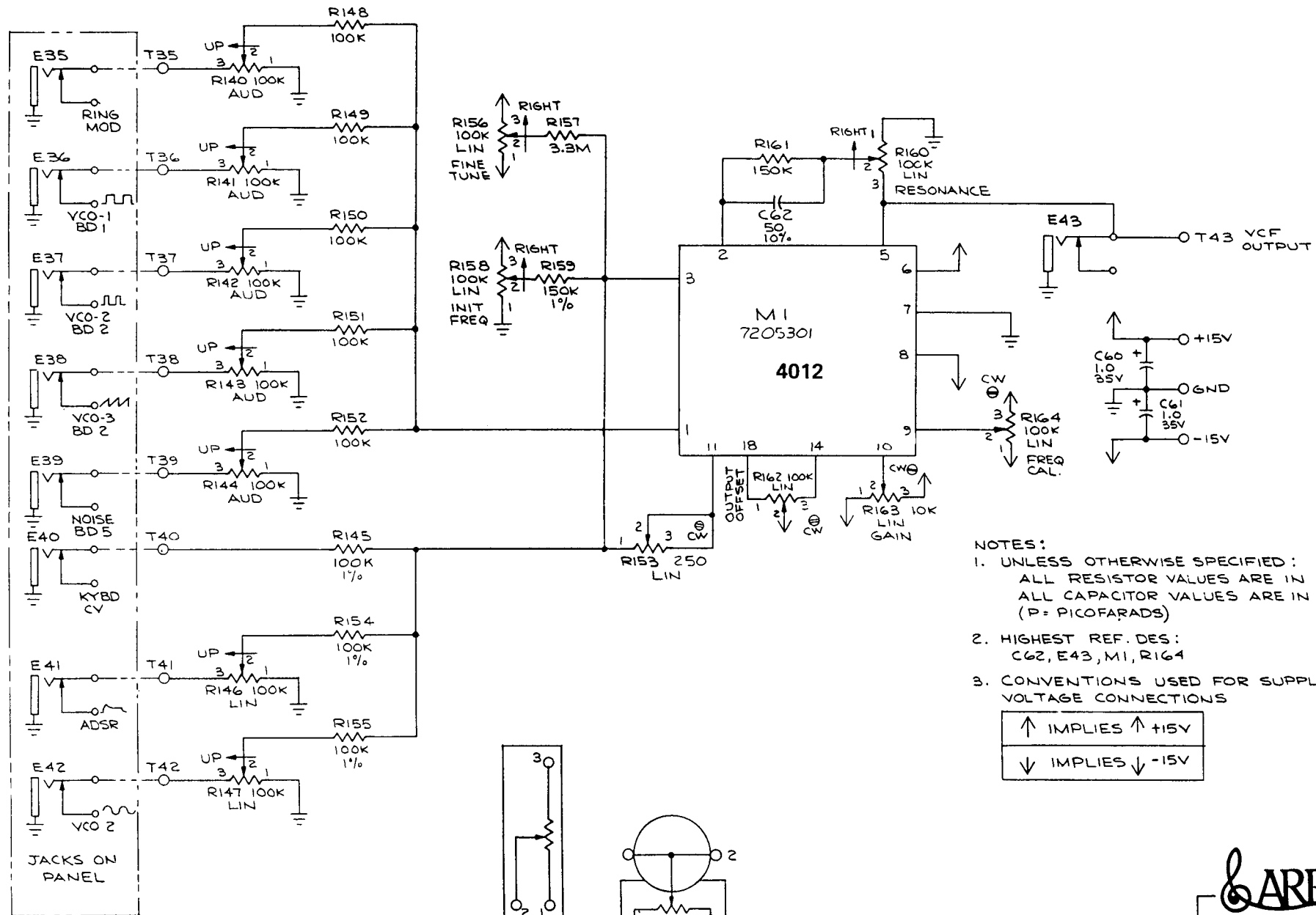


NOTES:

1. ALL RESISTORS ARE 0.25W 10% UNLESS OTHERWISE SPECIFIED
2. PAIRED TRANSISTORS ARE MATCHED AND THERMALLY COUPLED
3. Q4 AND Q5 ARE SELECTED AND THERMALLY COUPLED
4. A1 IS SELECTED FOR LOW OFFSET (SL19986)



TITLE 4012 VOLTAGE CONTROLLED LOW-PASS FILTER		
DESIGN BY ARP INSTRUMENTS, INC. 1970	ASSEMBLY PATENTS US #3,475,623 US #3,444,362	
DRAWN BY J VERGESE	DATE 11-FEB-97	REV A



- NOTES:
- UNLESS OTHERWISE SPECIFIED:
ALL RESISTOR VALUES ARE IN OHMS
ALL CAPACITOR VALUES ARE IN μ f
(P = PICOFARADS)
 - HIGHEST REF. DES:
C62, E43, M1, R164
 - CONVENTIONS USED FOR SUPPLY
VOLTAGE CONNECTIONS

